

# EXPERT LED

EXPERT LED 30 | EXPERT LED 60 | EXPERT LED 120  
EXPERT LED 60 LV | EXPERT LED 120 LV  
EXPERT LED 60 MEAT | EXPERT LED 120 MEAT

The ceiling light EXPERT LED is the best solution for your cold room's lighting. It saves energy by using LED technology; furthermore the modern and thin design ensures the minimum space requirements.



## APPLICATIONS

- Lighting of cold rooms at negative temperatures.
- Lighting of cold rooms at positive temperatures.

## OPTIONS

- LV version, with 24 V DC power supply, dimmable.
- MEAT version, for lighting up the meat exposed in a refrigerated environment.

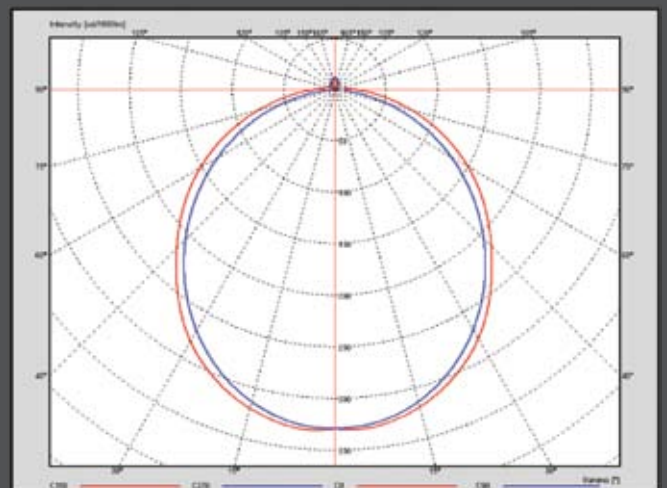
## MAIN CHARACTERISTICS

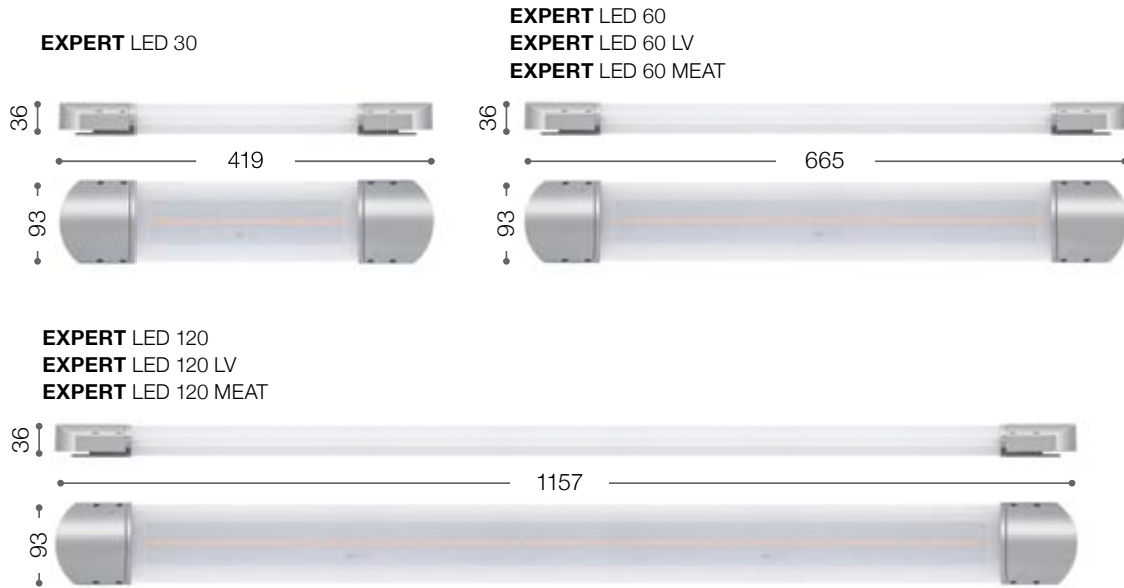
- Instant start, without waiting time, even at low temperatures.
- Energy saving compared with fluorescent solutions.
- Reduced maintenance costs due to the LED's long life.
- Easy installation.
- Thin design.
- IP65 protection rating.
- High brightness.
- Supply circuit designed to minimize the heat generated by the light.
- Light color optimized for meat lighting (EXPERT LED MEAT).

## EXPERT LED MEAT



Polar diagram





TECHNICAL CHARACTERISTICS	EXPERT LED 30	EXPERT LED 60	EXPERT LED 120	EXPERT LED 60 MEAT	EXPERT LED 120 MEAT
<b>DIMENSION</b>	419 x 93 x 36 mm	665 x 93 x 36 mm	1157 x 93 x 36 mm	665 x 93 x 36 mm	1157 x 93 x 36 mm
<b>WEIGHT</b>	0,35 kg	0,65 kg	1,3 kg	0,65 kg	1,3 kg
<b>POWER VOLTAGE</b>					
<b>VOLTAGE</b>	230 V AC ±10% 50-60 Hz	230 V AC ±10% 50-60 Hz	230 V AC ±10% 50-60 Hz	230 V AC ±10% 50-60 Hz	230 V AC ±10% 50-60 Hz
<b>DRIVER</b>	INTEGRATED	INTEGRATED	INTEGRATED	INTEGRATED	INTEGRATED
<b>MAX ABSORBED POWER</b>	8 W	16,5 W	33,5 W	16,5 W	33,5 W
<b>ENVIRONMENT CONDITIONS</b>					
<b>WORKING TEMPERATURE</b>	-30 ÷ +40 °C	-30 ÷ +40 °C	-30 ÷ +40 °C	-30 ÷ +40 °C	-30 ÷ +40 °C
<b>STORAGE TEMPERATURE</b>	-35 ÷ +70 °C	-35 ÷ +70 °C	-35 ÷ +70 °C	-35 ÷ +70 °C	-35 ÷ +70 °C
<b>RELATIVE HUMIDITY</b>	<90% RH	<90% RH	<90% RH	<90% RH	<90% RH
<b>GENERAL CHARACTERISTICS</b>					
<b>LUMINOUS FLUX</b>	700 lumen	1570 lumen	3250 lumen	840 lumen	1700 lumen
<b>COLOR TEMPERATURE</b>	5700 K (Cool White)	5700 K (Cool White)	5700 K (Cool White)	2400 K (Pink)	2400 K (Pink)
<b>COLOR RENDERING INDEX</b>	> 80	> 80	> 80	> 90	> 90
<b>CONNECTION</b>	Pre-wired cable	Pre-wired cable	Pre-wired cable	Pre-wired cable	Pre-wired cable
<b>INSTALLATION</b>	Single; ceiling mounting with screws	Single; ceiling mounting with screws	Single; ceiling mounting with screws	Single; ceiling mounting with screws	Single; ceiling mounting with screws
<b>LAMP</b>	LED; integrated; non-replaceable	LED; integrated; non-replaceable	LED; integrated; non-replaceable	LED; integrated; non-replaceable	LED; integrated; non-replaceable
<b>TURN-ON TIME</b>	<0,2"	<0,2"	<0,2"	<0,2"	<0,2"
<b>WARM-UP TIME (60%)</b>	Instant on	Instant on	Instant on	Instant on	Instant on
<b>NUMBER OF ON-OFF CYCLES</b>	100000	100000	100000	100000	100000
<b>INSULATION AND MECHANICAL CHARACTERISTICS</b>					
<b>PROTECTION RATING</b>	IP65	IP65	IP65	IP65	IP65
<b>MATERIAL</b>	Self-extinguishing polycarbonate V0	Self-extinguishing polycarbonate V0	Self-extinguishing polycarbonate V0	Self-extinguishing polycarbonate V0	Self-extinguishing polycarbonate V0
<b>INSULATION TYPE</b>	Class II	Class II	Class II	Class II	Class II